

FEATURED ALUM-A-LIFT  
VFFS PACKAGING LIFT FOR ROLLS AND FORMING TUBES

PROJECT  
**30768**

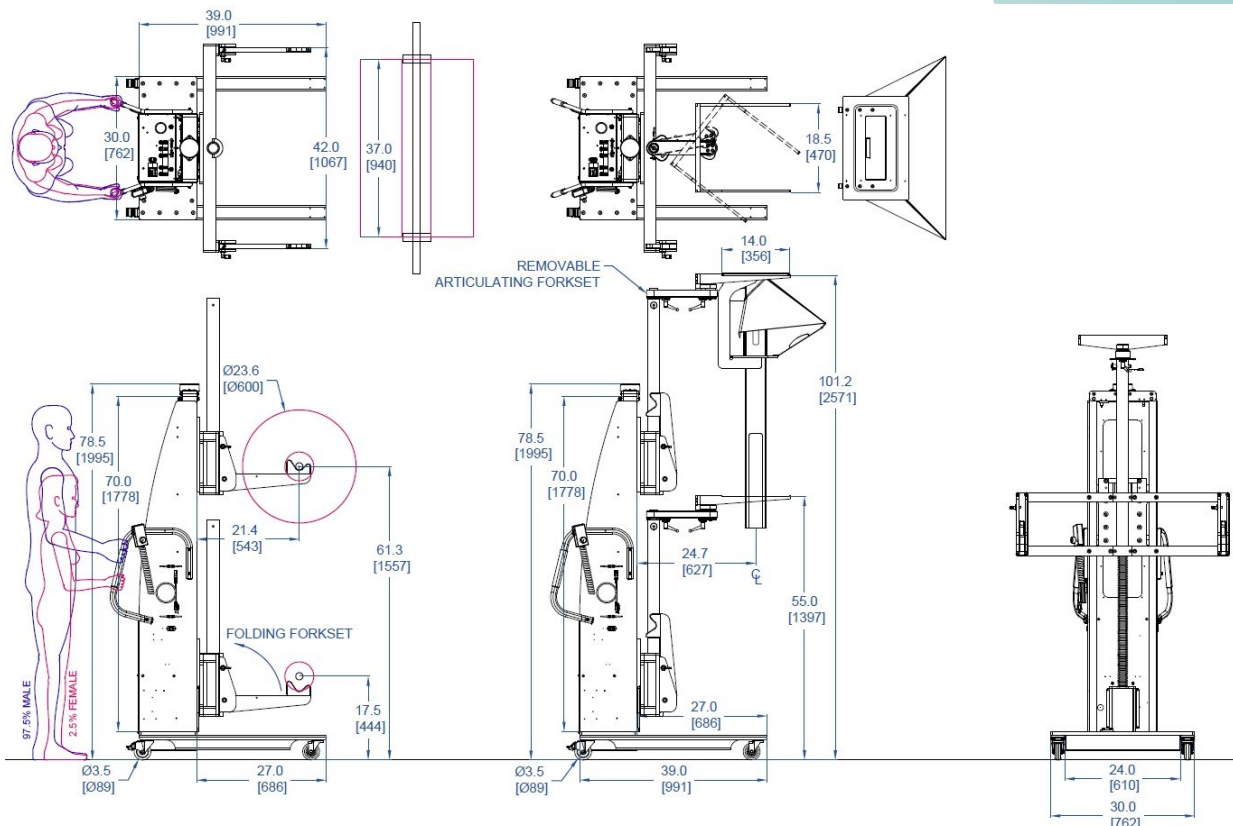


**MODEL** A800CS-72

**FEATURING** Removable Two-segment Articulating Forkset, Folding Notched Forkset

**HANDLING** 154 lb [70 kg] Forming Tubes & 551 lb [250 kg] Rolls

**DETAILS** A food production facility needed a lift to support a form-fill-seal (FFS) machine on their packaging line. This multi-purpose lift was developed to load film rolls as well as handling the FFS machine's forming tubes during changeovers. A notched forkset supports the rolls' through-shafts, and the forks fold up out of the way when not in use. An articulating forkset allows forming tubes to be supported for installation or removal, and can be removed to avoid interferences when handling rolls with the notched forkset.



**alum-a-lift**

13941 Veterans Memorial Hwy  
Winston, GA 30187 USA  
+1 770 489 0328

GET STARTED AT [ALUM-A-LIFT.COM](http://ALUM-A-LIFT.COM)