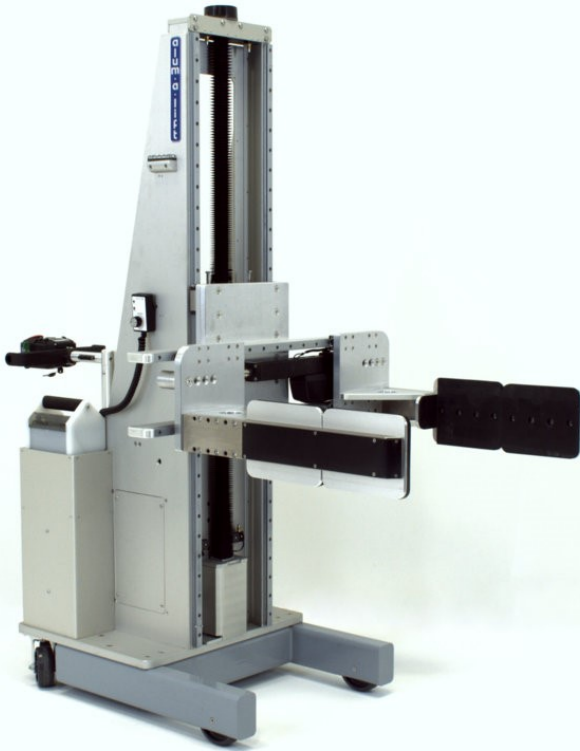


FEATURED ALUM-A-LIFT CASINO SLOT MACHINE CLAMP LIFT

PROJECT 29740

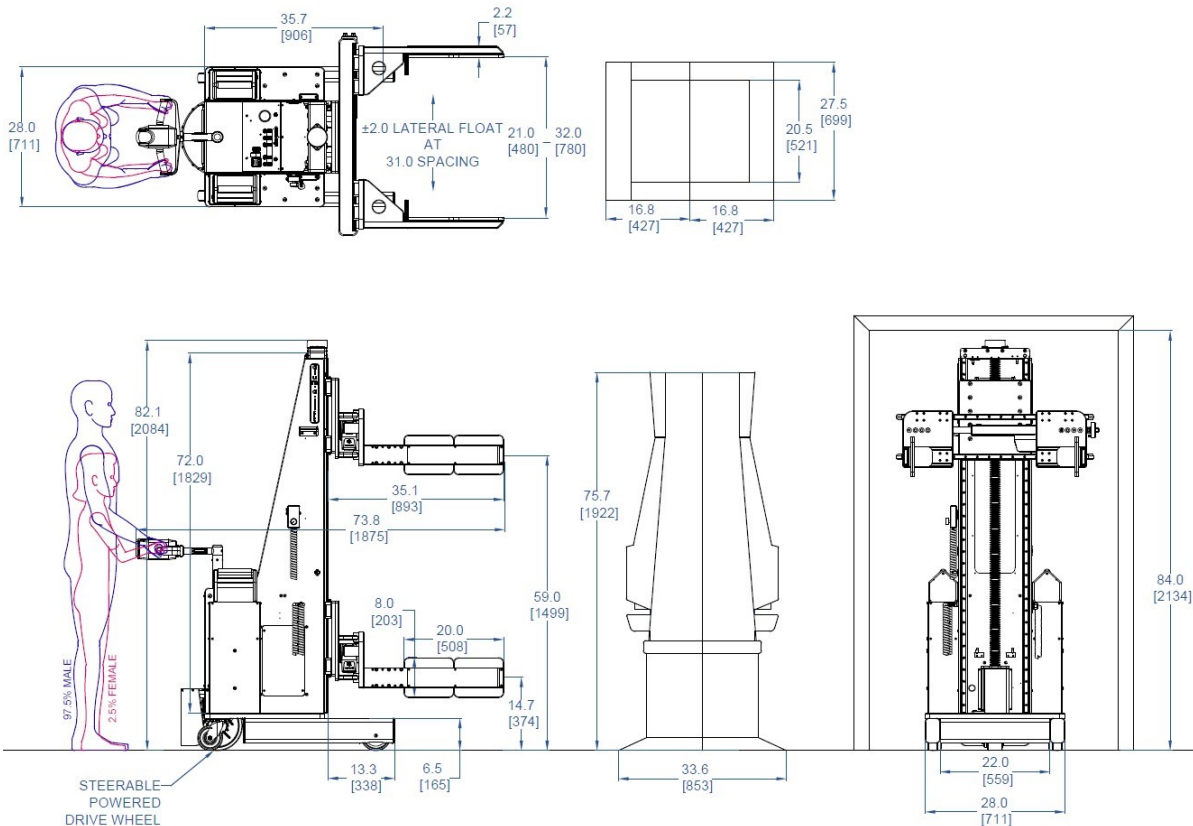


MODEL A800CRSLRPD-72

FEATURING Adjustable Clamp Pads, Non-marring Arm Liners, Floating Lateral Shuttle, Quick Exchange Batteries

HANDLING 900 lb [408 kg] Video Gambling Machines

DETAILS Slot machines on casino floors are often spaced tightly, with narrow aisles and only a few inches between adjacent machines. This arrangement makes it difficult to remove individual slot machines when maintenance or repair is required. This lift's narrow arms fit into the tight spaces and grip the sides of the machine to be moved, while non-marring outer liners protect the machines on either side. Quick exchange batteries allow for continuous operation, and a high load limit combined with configurable clamp pads allows for handling a variety of large, complex modern gaming machines.



alum-a-lift

13941 Veterans Memorial Hwy
Winston, GA 30187 USA
+1 770 489 0328

GET STARTED AT ALUM-A-LIFT.COM