

FEATURED ALUM-A-LIFT STAINLESS STEEL DRUM LIFTING PLATFORM

PROJECT 30528

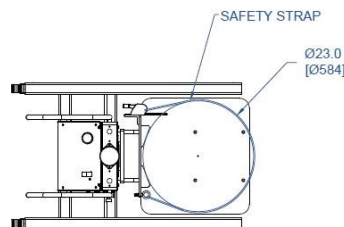
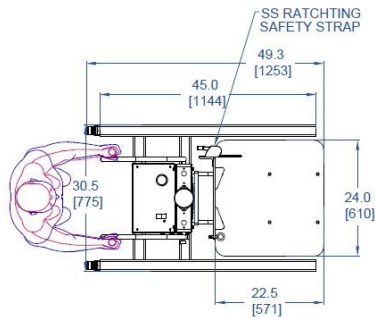


MODEL A800SSWD-42

FEATURING Stainless Steel Construction, IP65 Washdown Rating, Low Friction Platform with Safety Strap

HANDLING 616lb [280kg] Drums

DETAILS Pharmaceutical processes often involve moving partially filled drums to a scale to determine the weight of the contents before and after distribution. This small, simple lift is capable of lifting and transporting the heavy drums to the scale and back. For securing the drum during transportation, a safety strap is cinched around its center. With stainless steel construction and an IP65 rating the lift's exterior can be cleaned with caustic chemicals and a low pressure water jet. Like they say, good things do come in small packages.



****STAINLESS STEEL CONSTRUCTION****
****IP65 RATING****

