

FEATURED ALUM-A-LIFT THERMOFORMING CUTTING DIE HANDLER AND LOADER

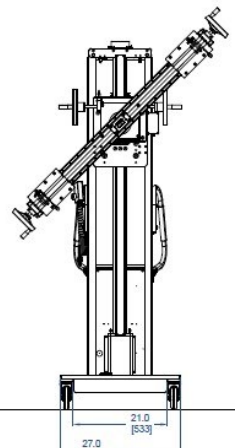
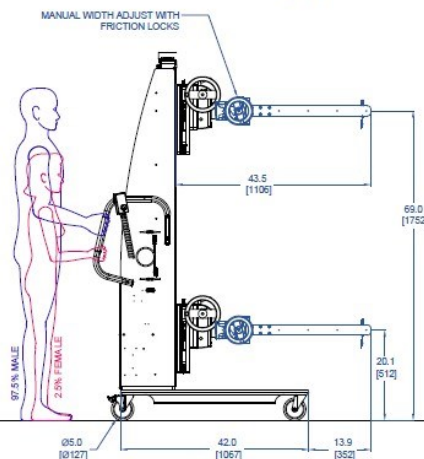
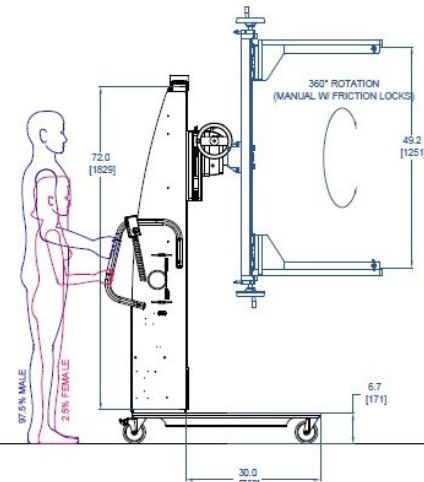
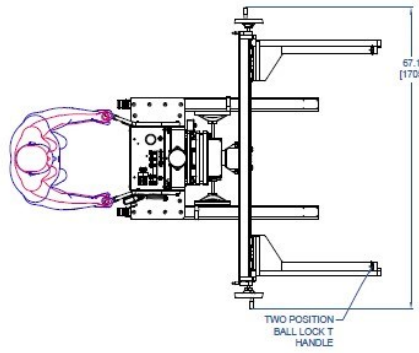
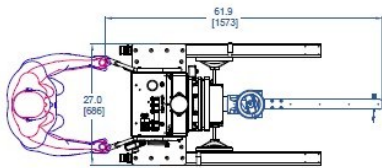
PROJECT 29507

MODEL A800CS-72

FEATURING Manual Rotation Module, Dual Adjustable Arms, Two Position Lock, Low Friction Die Guides

HANDLING 225 lb [100 kg] Dies

DETAILS IV bags are manufactured using large steel dies in a thermoforming machine in clean pharmaceutical environments. These dies must periodically be removed for maintenance, inspection, and changeover. This custom material handling device features low friction guides on a rapid width-adjustable set of forks, enabling effortless loading and unloading of the dies. A self-locking rotation module is present, enabling unobstructed access to both sides of the die without any additional handling steps.



alum-a-lift

13941 Veterans Memorial Hwy
Winston, GA 30187 USA
+1 770 489 0328

GET STARTED AT ALUM-A-LIFT.COM