

FEATURED ALUM-A-LIFT LIGHTWEIGHT ERGONOMIC CARBOY LIFTER AND ROTATOR

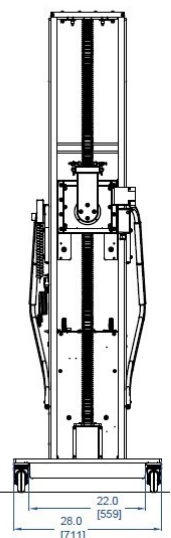
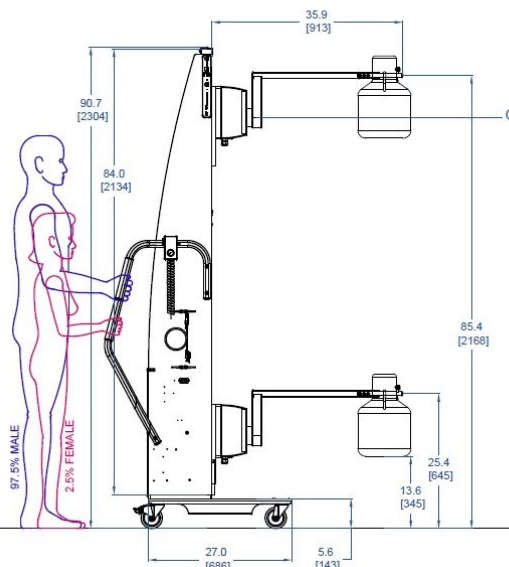
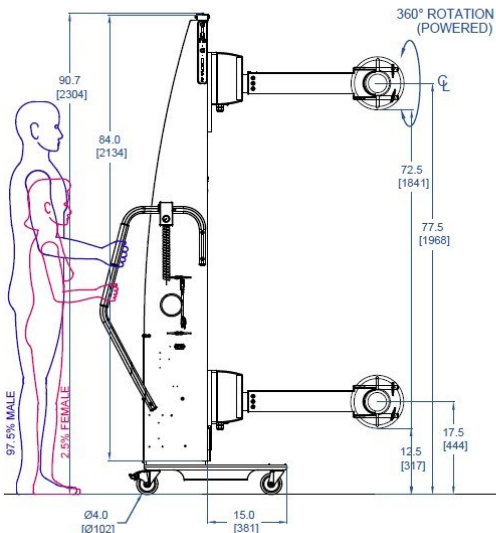
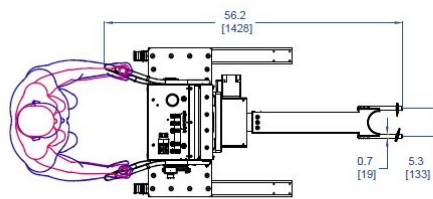
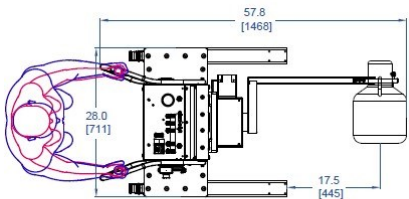
PROJECT 30264

MODEL B350CS84-72

FEATURING Powered Rotation Module, Manual Locking Tabs, Stainless Steel Forks

HANDLING 60 lb [27 kg] Carboys

DETAILS While not always very heavy, plastic carboys come in many shapes and sizes and often contain liquids that must be safely dispensed into hoppers, tanks, or other large vessels. This pharmaceutical lift includes a set of round prongs sized to match the handles of a specific range of carboys, allowing them to be effortlessly lifted from high density shelving. The carboy is positioned in front of the lift's legs, allowing it to be rotated and dispensed directly into the filling port on top of a large mixing vessel.



alum-a-lift

13941 Veterans Memorial Hwy
Winston, GA 30187 USA
+1 770 489 0328

GET STARTED AT ALUM-A-LIFT.COM