

FEATURED ALUM-A-LIFT SERVER INSTALLATION LIFT WITH ROTATING FORK SET

PROJECT 30408

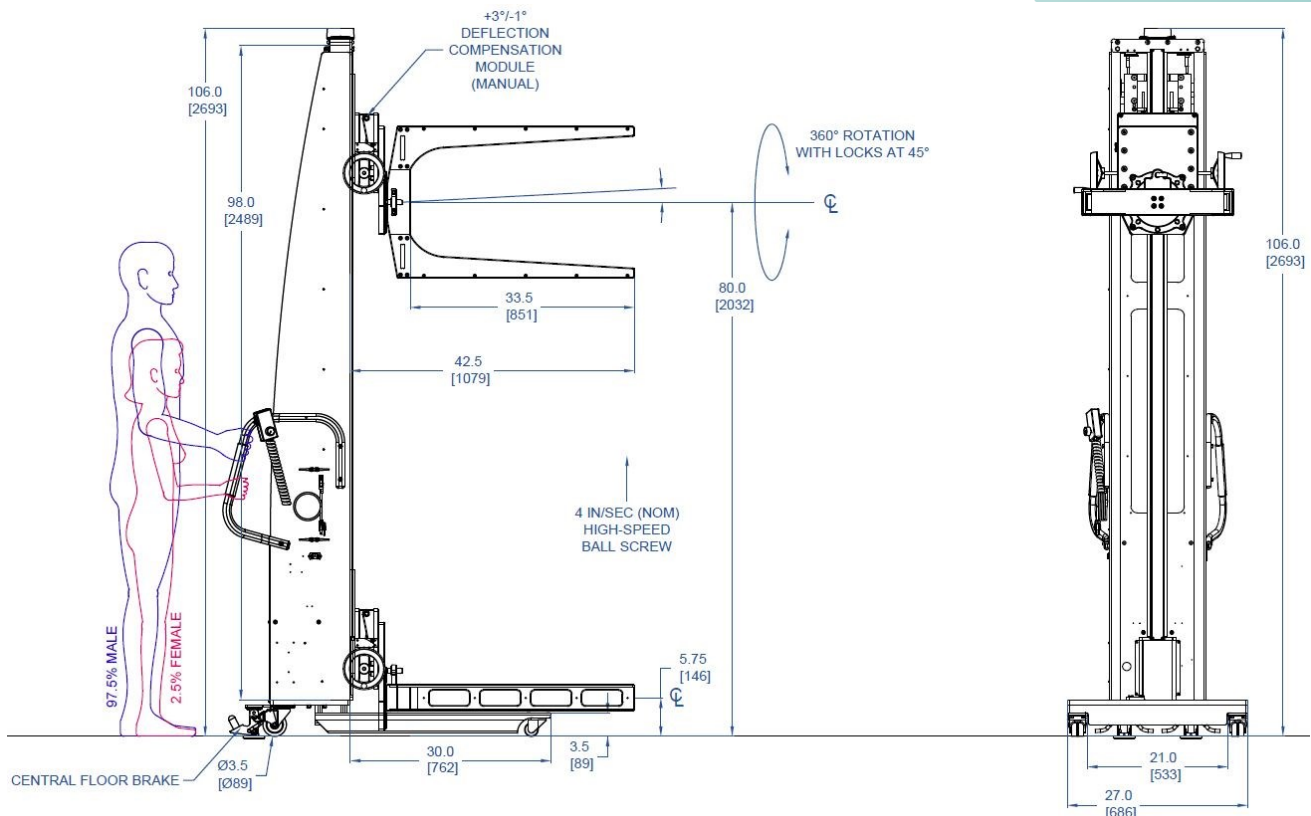


MODEL A800CS-98

FEATURING Anti-static Plastic Fork Set, Manual Rotation Module, Manual Tilt Module, High-Speed Ball Screw, Floor Brake

HANDLING 300 lb [136 kg] Server Components

DETAILS A server manufacturer needed components to be moved from assembly tables and installed in racks. This Alum-a-Lift features a notched fork set with anti-static plastic to protect the expensive components from electrical damage. The manual rotation module allows components to be rotated 90 degrees in order to be installed vertically in the rack. The manual tilt module allows operators to be sure that components are level before being inserted into the rack, while a floor brake on the rear of the lift ensures that the lift is stationary during installation.



alum-a-lift

13941 Veterans Memorial Hwy
Winston, GA 30187 USA
+1 770 489 0328

GET STARTED AT ALUM-A-LIFT.COM