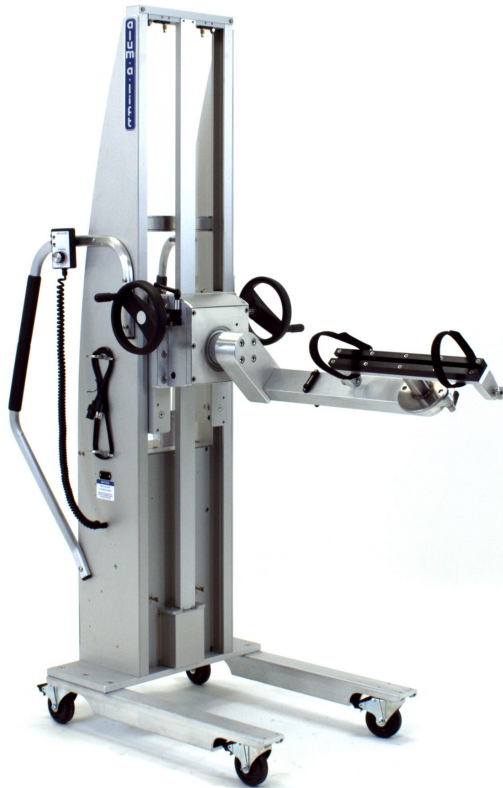


# FEATURED ALUM-A-LIFT DUAL-AXIS ROTATING TOOL AND DIE LIFT AND POSITIONER

## PROJECT 30119

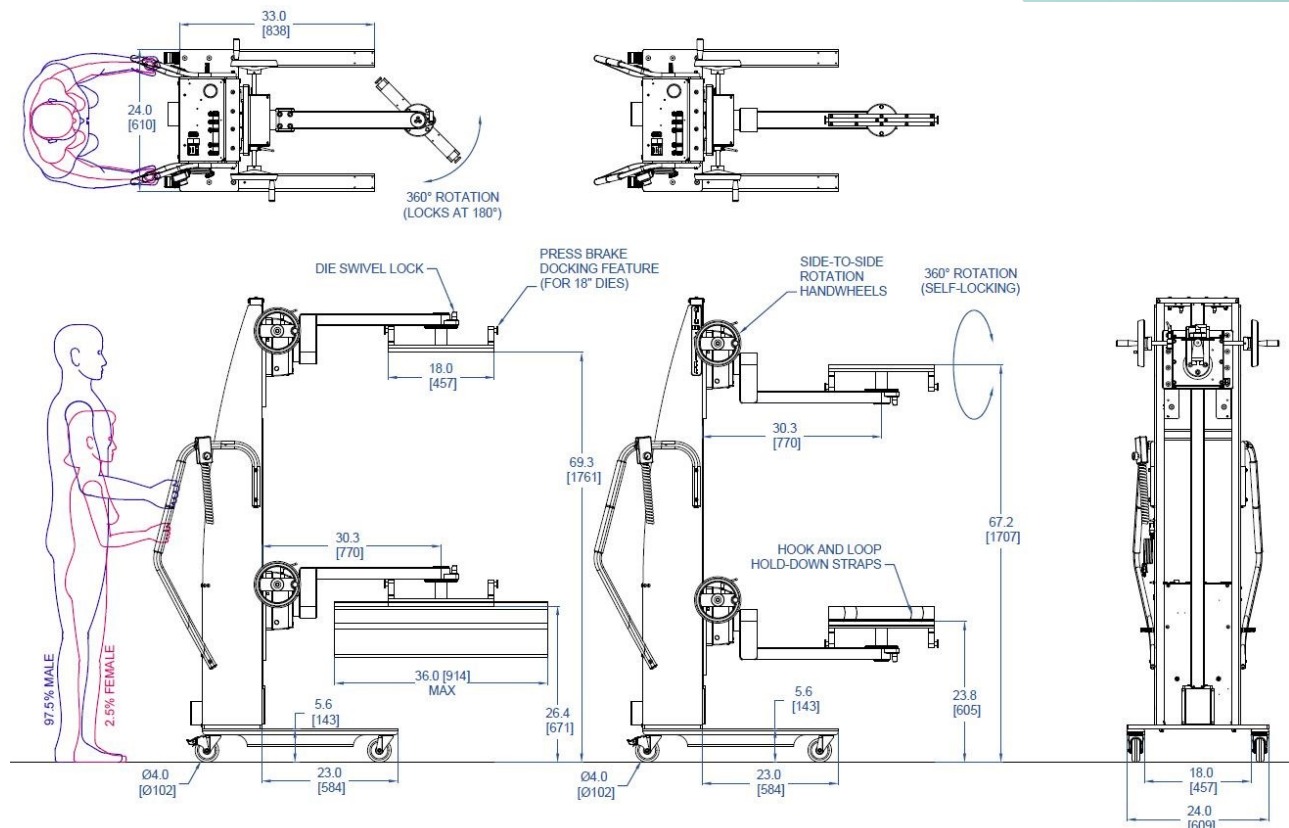


**MODEL** L200CS-72

**FEATURING** Dual Docking Features, Hook-and-Loop Safety Straps, Vertical-axis Rotation with Discrete Locking Points, Self-locking Horizontal-axis Rotation with Brake

**HANDLING** Dies weighing up to 120 lbs. [54 kg]

**DETAILS** Large press brakes used in manufacturing often utilize a variety of die shapes and sizes. The dies typically come in top-and-bottom pairs and are frequently too heavy to be interchanged manually. This lift allows dies to be slid into a tool holder, rotated to the correct orientation, and lifted into position. A T-slot retains upper dies featuring safety tangs, and straps secure lower dies having standard tangs. Docking features on the end-effector and press brakes ensure proper alignment and allow the operators to safely load the dies into the machine.



**alum-a-lift**

13941 Veterans Memorial Hwy  
Winston, GA 30187 USA  
+1 770 489 0328

GET STARTED AT [ALUM-A-LIFT.COM](http://ALUM-A-LIFT.COM)