

FEATURED ALUM-A-LIFT VACUUM LIFTER WITH ROTATION FOR PANELS AND SHEETS

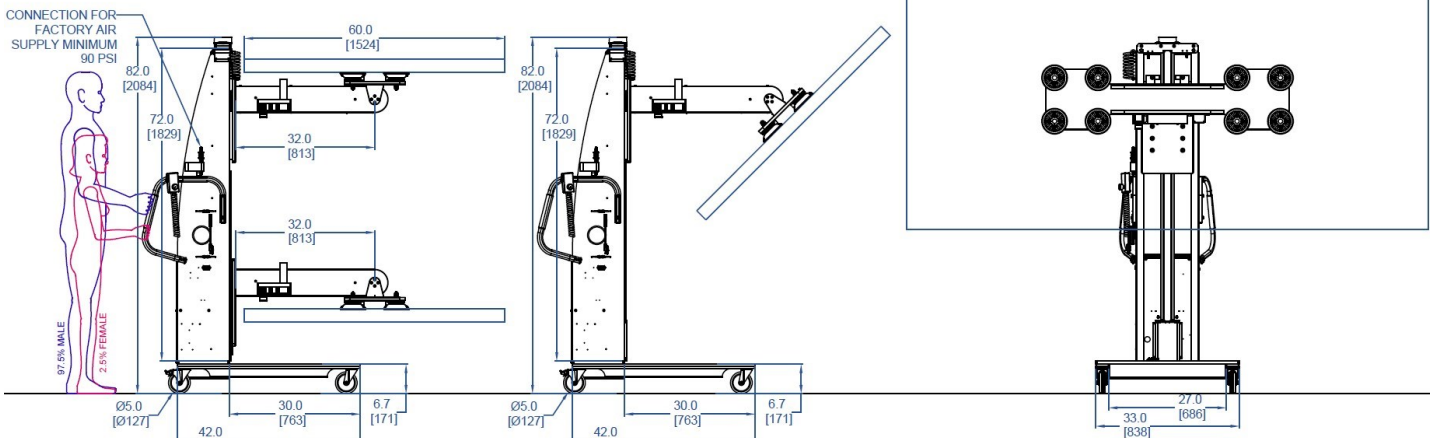
PROJECT 29333

MODEL A800CS-72

FEATURING Non Marring Vacuum Cups, 180° Powered Rotation, High Flow Vacuum System

HANDLING 250 lb [113kg] Furniture Panels

DETAILS Handling large furniture panels can be a difficult and time intensive task. Commonly available vacuum lifting systems are typically stationary with rotation that stops at 90°. This portable Alum-a-Lift can serve multiple locations and be equipped with either an onboard vacuum generator for metals and glass, or a high-flow venturi pump, which uses your shop's compressed air supply to generate vacuum suitable for wood or other porous materials. The 180° forward rotation is useful for subassembly or inspection efforts occurring on the panel's underside surface.



alum-a-lift

13941 Veterans Memorial Hwy
Winston, GA 30187 USA
+1 770 489 0328

GET STARTED AT ALUM-A-LIFT.COM