

FEATURED ALUM-A-LIFT QUARTZ TUBE HANDLING PRECISION CLAMP SYSTEM

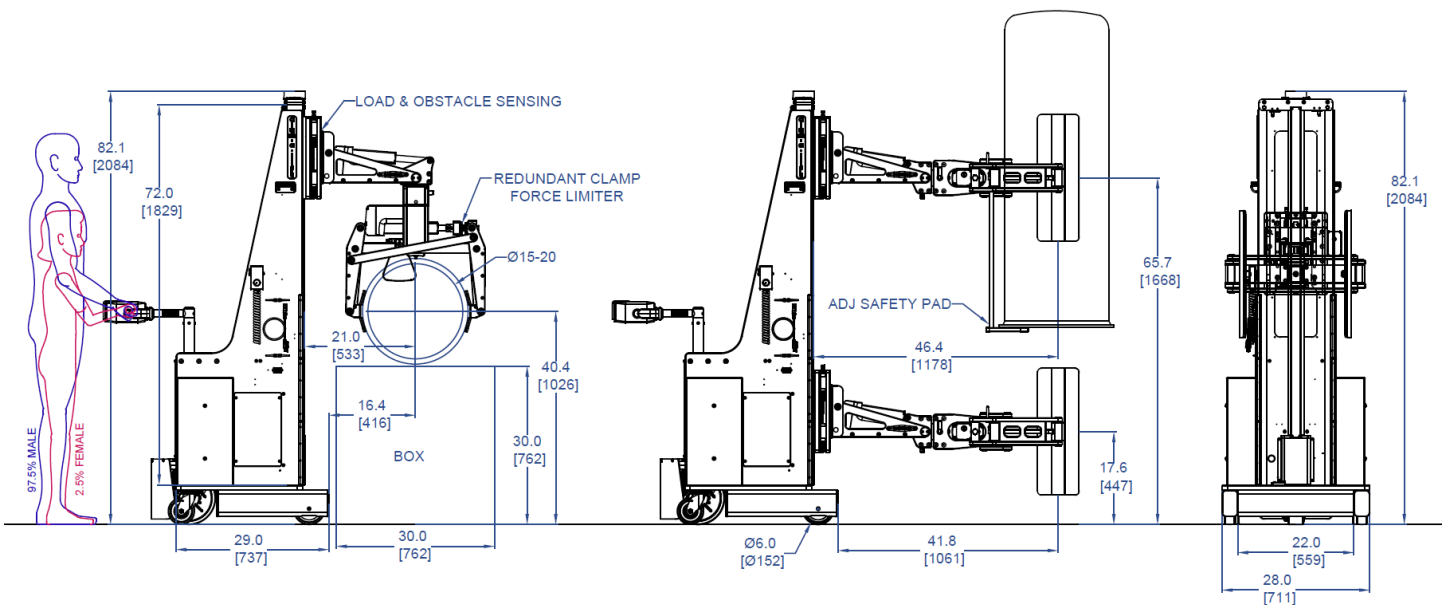
PROJECT 29742

MODEL A800CSPD-72

FEATURING Powered Precision Clamp, Manual Rotation Module, Powered Front-to-Back Knuckle, Spring Overload Safety Device, Clamp Force Limiter, Safe-to-Lift Indicator Light

HANDLING 100 lb [45 kg] Quartz Tubes

DETAILS In the preparation of silicon wafers for semiconductor manufacturing, quartz tubes are commonly used as reaction vessels. This Alum-a-Lift allows operators to unload quartz tubes from a box on the floor and place them in carts for staging. The clamp can reach down inside the box, securely grip the tube, lift and rotate out of the box, and place vertically on a cart. Precision bearings, wide clamp pads, and multiple safety features give operators confidence when handling the fragile tubes.



alum-a-lift

13941 Veterans Memorial Hwy
Winston, GA 30187 USA
+1 770 489 0328

GET STARTED AT ALUM-A-LIFT.COM